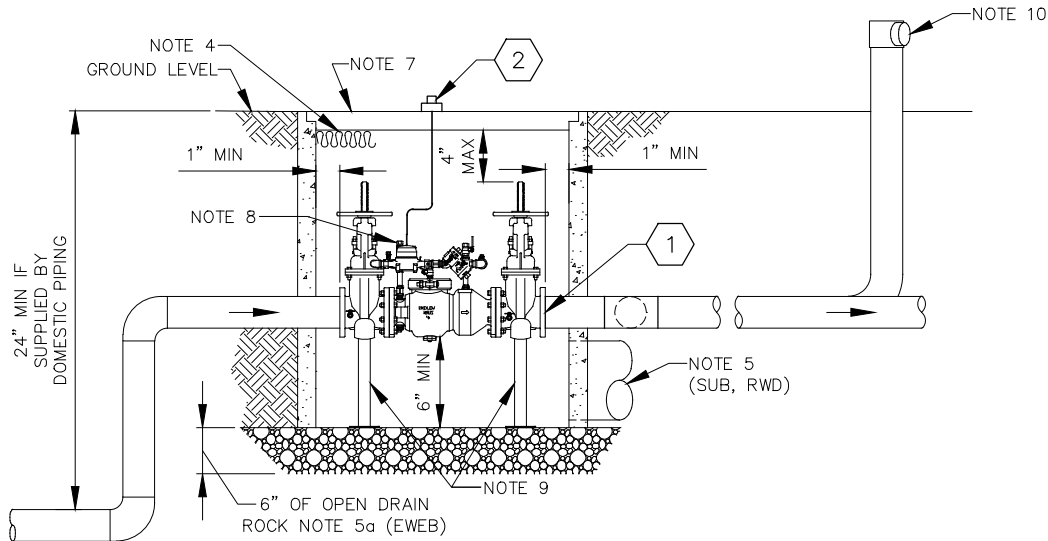


PLAN



ELEVATION

① APPROVED DETECTOR DOUBLE CHECK VALVE ASSEMBLY INCLUDING FACTORY SUPPLIED SHUT-OFF VALVES: AS LISTED ON THE CURRENTLY APPROVED BACKFLOW PREVENTION ASSEMBLIES LIST SPECIFIED BY OREGON HEALTH AUTHORITY.

② REMOTE READER, METER REGISTER AND TOUCH PAD PROVIDED BY EWEB.

PLUMBING FROM THE CONNECTION TO POTABLE WATER SUPPLY LINE TO THE ASSEMBLY REQUIRES A PLUMBING PERMIT AND THE ASSEMBLY MUST BE INSPECTED BEFORE COVERING.

SERVICE TAPS CANNOT ALWAYS BE INSTALLED AT A LOCATION DESIRED BY THE CUSTOMER BECAUSE OF UNDERGROUND OBSTACLES THAT BECOME KNOWN ONLY AFTER EXCAVATION FOR THE INSTALLATION OF THE SERVICE TAP. AS A RESULT, EWEB REQUIRES THAT THE SERVICE TAP BE INSTALLED BEFORE THE CUSTOMER INSTALLS ANY FIRELINE VAULT OR ENCLOSURE.

AN INITIAL TEST PERFORMED BY A STATE CERTIFIED BACKFLOW ASSEMBLY TESTER IS REQUIRED AT THE TIME OF INSTALLATION, AT LEAST ANNUALLY THEREAFTER OR MORE FREQUENTLY AS REQUIRED BY WATER SUPPLIER.

COPIES OF COMPLETED TEST REPORT SHALL BE FURNISHED TO:

1. THE OWNER
2. THE WATER SUPPLIER, EWEB
3. THE BUILDING OFFICIAL

CITY OF EUGENE BUILDING AND PERMITS REVIEW – MDW

|                |     |     |     |   |                   |     |     |     |
|----------------|-----|-----|-----|---|-------------------|-----|-----|-----|
| FUNC           | BY  | CHK | APP | <b>WATER STANDARDS<br/>REGIONAL DESIGN STANDARDS<br/>DETECTOR DOUBLE CHECK VALVE ASSEMBLY<br/>2" BELOW GROUND</b><br><br>EUGENE WATER & ELECTRIC BOARD - EUGENE, OREGON | SCALE: NTS        |     |     |     |
| DES            | JMH |     |     |   | REV DATE          | BY  | CHK | APP |
| DWN            | NLN | SLA |     |   | 1-11-17           | ESR |     |     |
| SPONSOR        |     | SLW |     |   | REMOVED SUB & RWD |     |     |     |
| DATE: 11/06/09 |     |     |     |   | DWG NO            |     |     | REV |
|                |     |     |     | WD6-6.5750  |                   |     | 1   |     |
|                |     |     |     | 1 of 2  |                   |     |     |     |

NOTES (IF 2\_DDC IS INSTALLED IN A CONCRETE VAULT USE DESIGN STANDARD FOR 2 1/2 - 10\_DDC):

1. DETECTOR DOUBLE CHECK VALVE ASSEMBLY (DDC) ENCLOSURE SHALL BE INSTALLED NO MORE THAN 10 FEET FROM POINT OF CONNECTION, OR IN AN ALTERNATE LOCATION APPROVED BY EWEB.
2. DDC MAY BE INSTALLED VERTICALLY, PROVIDED THAT THE DDC IS:
  - a. RECOMMENDED BY THE MANUFACTURER FOR VERTICAL INSTALLATION
  - b. APPROVED IN A VERTICAL ORIENTATION AS LISTED ON THE CURRENTLY APPROVED BACKFLOW PREVENTION ASSEMBLIES LIST SPECIFIED BY OREGON HEALTH AUTHORITY.
3. ALL CLEARANCES PICTURED APPLY TO OUTSIDE, IN-BUILDING, AND VERTICAL INSTALLATIONS.
4. DDC SHALL BE WINTERIZED AND/OR PROTECTED FROM FREEZING. DDC ENCLOSURE SHALL INCLUDE INSULATION AND/OR HEAT SOURCE.
  - a. A 2 LAYER OF SPRAY-FOAM INSULATION EVENLY COATING INSIDE THE IRRIGATION BOX LID IS SUFFICIENT.
5. ALTERNATE METHODS MAY BE APPROVED BY EWEB FOR 2 DDC IN ITS SERVICE AREA. ALLOWABLE ALTERNATIVES MAY INCLUDE:
  - a. DRY WELL SIZED FOR ADEQUATE DRAINAGE (6 INCH DEPTH MINIMUM)
6. COMPACTED GRAVEL OR UNDISTURBED BASE.
7. A DOOR OR OTHER ACCESS SHALL BE PROVIDED.
8. DDC INSTALLED BELOW GROUND LEVEL SHALL HAVE WATERTIGHT PLUGS OR CAPS INSTALLED ON THE TEST PORTS.
9. IF DDC IS NOT SUPPORTED BY RIGID SUPPLY AND DISCHARGE PIPE, THE ASSEMBLY SHALL HAVE VALVE SUPPORTS.
10. FIRE DEPARTMENT PUMPER CONNECTION (IF NEEDED) SHALL COMPLY WITH LOCAL FIRE CODE.

ADDITIONAL CONSIDERATIONS FOR FIRE SERVICES:

1. FIRE SERVICE ASSEMBLIES SHALL BE INSTALLED WITHIN 10' OF EWEB POINT OF CONNECTION (GENERALLY LOCATED AT THE PROPERTY LINE) AND SHALL BE DIRECTLY IN LINE WITH SERVICE TAP LOCATION SUCH THAT THE POINT OF CONNECTION IS INLINE WITH ASSEMBLY.
2. ALL PIPING PRECEDING THE DDC SHALL BE CONSTRUCTED OF POTABLE APPROVED MATERIAL PER OPSC TABLE 6-4
3. NO OUTLETS OR CONNECTIONS (INCLUDING HYDRANTS) WILL BE PERMITTED ON FIRE SERVICE LINES PRIOR TO BACKFLOW PREVENTION ASSEMBLIES.
4. ABOVE GROUND ENCLOSURES FOR FIRELINES SHALL INCLUDE INSULATION AND/OR HEAT SOURCE DESIGNED TO KEEP ENCLOSURE AT A MINIMUM TEMPERATURE OF 40 F (NFPA 8.16.4.1.3)
5. WHERE NON-FOOD GRADE ANTIFREEZE, CORROSION INHIBITORS, OR OTHER CHEMICALS ARE ADDED TO A FIRE PROTECTION SYSTEM A REDUCED PRESSURE BACKFLOW ASSEMBLY OR REDUCED PRESSURE DETECTOR ASSEMBLY SHALL BE USED.

REFERENCE: OREGON PLUMBING SPECIALTY CODE, CHAPTER 6 WATER SUPPLY AND DISTRIBUTION, 603.4.6.3; 603.4.6.4; 603.3.3; 603.3.4; 603.3.8; 603.4.18.3; TABLE 6-4

REFERENCE: OREGON ADMINISTRATIVE RULES 333-061-0070 (5) (12) (15); 333-061-0071 (9)

REFERENCE: OREGON ADMINISTRATIVE RULES CHAPTER 437, DIVISION 2, 1910.27

CITY OF EUGENE BUILDING  
AND PERMITS REVIEW - MDW

|                |     |     |     |   |                   |     |     |     |
|----------------|-----|-----|-----|---|-------------------|-----|-----|-----|
| FUNC           | BY  | CHK | APP | WATER STANDARDS<br>REGIONAL DESIGN STANDARDS<br>DETECTOR DOUBLE CHECK VALVE ASSEMBLY<br>2" BELOW GROUND<br>EUGENE WATER & ELECTRIC BOARD - EUGENE, OREGON | SCALE: NTS        |     |     |     |
| DES            | JMH |     |     |   | REV DATE          | BY  | CHK | APP |
| DWN            | NLN | SLA |     |   | 1-11-17           | ESR |     |     |
| SPONSOR        |     | SLW |     |   | REMOVED SUB & RWD |     |     |     |
| DATE: 11/06/09 |     |     |     |   | DWG NO            |     |     | REV |
|                |     |     |     |   | WD6-6.5750        |     |     | 1   |
|                |     |     |     | 2 of 2  |                   |     |     |     |