



1. APPLICATION

- A. Steel sidewalk inset rings are installed around concrete lids on concrete vaults in sidewalks to allow removable of concrete lid without damaging sidewalk.

2. REFERENCE STANDARDS

- A. The flat steel bar used to manufacture the frame shall be manufactured and tested according to the latest editions, revisions, and amendments to ASTM A36/A36M Standard Specification for Carbon Structural Steel.
- B. The rebar shall be Grade 60 manufactured and tested according to the latest editions, revisions, and amendments to ASTM A615/A615M Standard Specification for Deformed and Plain Carbon Steel Bars for Concrete Reinforcement.

3. PRODUCTS

- A. Weld together flat steel bar and rebar and paint per the standard details listed at the end of this specification and included as supplements to this specification.

4. TESTS

- A. Steel shall be tested per the applicable ASTM standards.

5. WARRANTY

- A. Provide a warranty period of eighteen (18) months, minimum after the date of acceptance.
- B. Vendor shall warrant the goods/equipment be free from defects in material or workmanship, and shall repair or replace any unit that fails during normal use, including all parts and labor at no cost to EWEB.

MATERIAL SPECIFICATION EUGENE WATER & ELECTRIC BOARD		
SIDEWALK INSET RINGS FOR CONCRETE LIDS	May 16, 2016	REV.
	ES5-2.2100	1
ENGINEERING REVIEW <u>JZO</u>	STANDARDS COMMITTEE APPROVAL <u>LMW</u>	Page 1 of 7

6. PACKAGING AND DELIVERY

A. The vendor shall insure the proper protection from damage during transit. Any damage during transit shall be the vendor's responsibility to repair, or replace with new.

7. SUBMITTALS

A. If requested, vendor shall provide a drawing for initial product approval, or approval of subsequent changes before shipment of product.

8. EWEB STORES INFORMATION

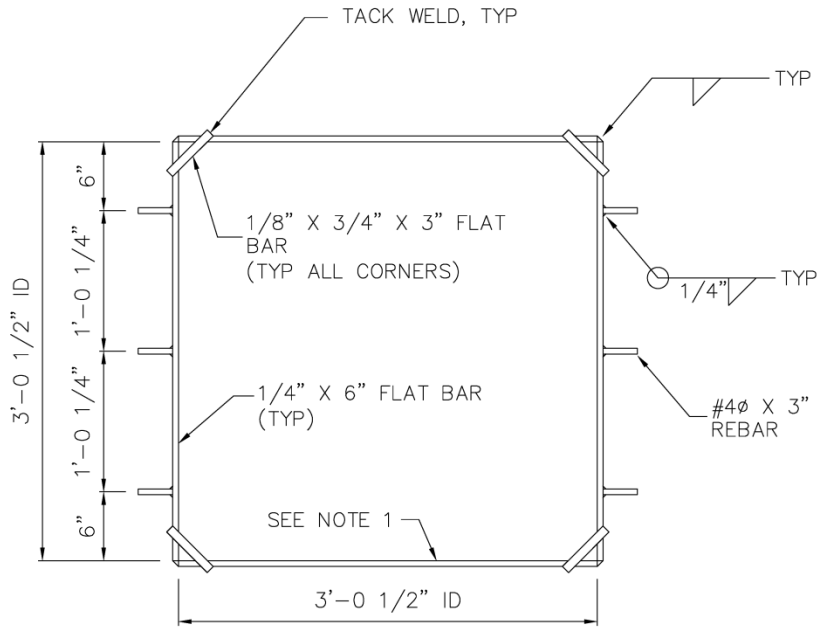
A. This specification shall be used to purchase the material with the stock codes and associated standard detail numbers listed below:

<u>Stock Code</u>	<u>Standard Detail No.</u>
348-0000543	ES5-2.2100.01
348-0000544	ES5-2.2100.02
348-0000546	ES5-2.2100.03
348-0000545	ES5-2.2100.04
N/A	ES5-2.2100.05
348-0005468	ES5-2.2100.06
348-0005467	ES5-2.2100.07

MATERIAL SPECIFICATION
EUGENE WATER & ELECTRIC BOARD

SIDEWALK INSET RINGS FOR CONCRETE LIDS

May 16, 2016 **REV.**
ES5-2.2100 1

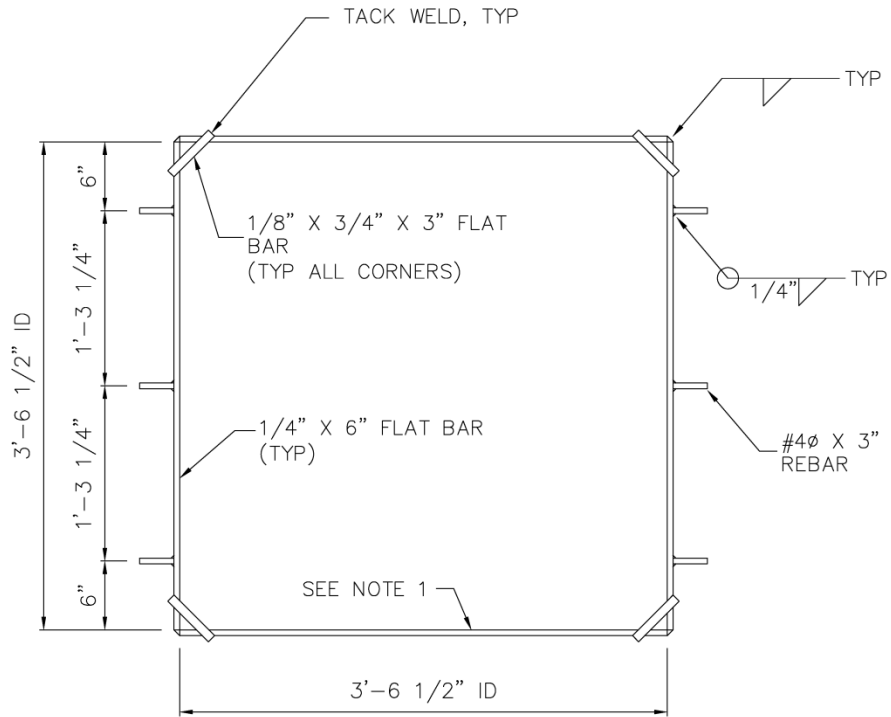


SIDEWALK INSET RING FOR 3'-0" X 3'-0" CONCRETE LID
EWEB STOCK CODE 348-0000543
STANDARD DETAIL ES5-2.2100.01

NOTE:

1. PAINT INSIDE SURFACE OF ENTIRE RING WITH GRAY PRIMER.

MATERIAL SPECIFICATION EUGENE WATER & ELECTRIC BOARD		
SIDEWALK INSET RINGS FOR CONCRETE LIDS	May 16, 2016	REV.
	ES5-2.2100	1
Page 3 of 9		

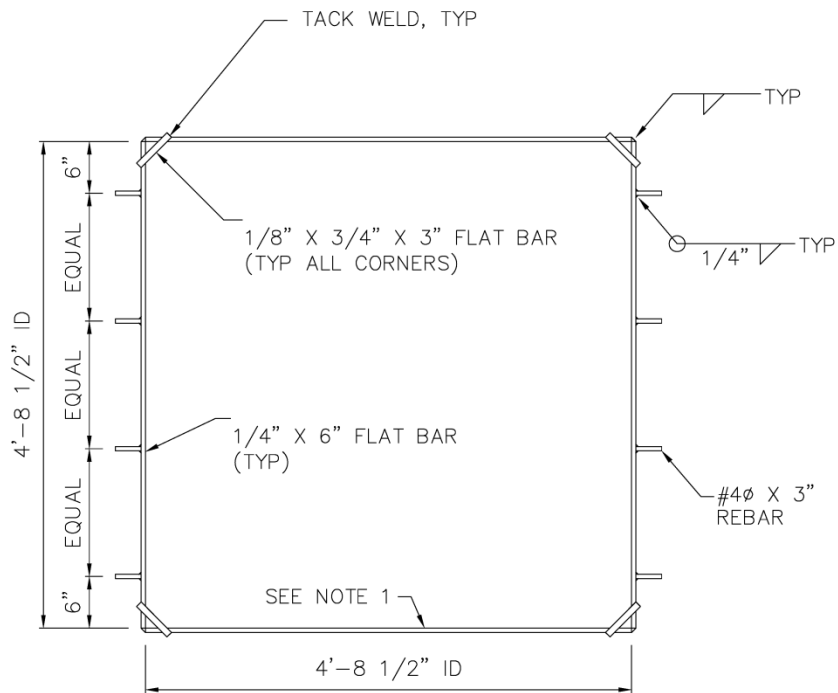


SIDEWALK INSET RING FOR 3'-6" X 3'-6" CONCRETE LID
EWEB STOCK CODE 348-0000544
STANDARD DETAIL ES5-2.2100.02

NOTE:

1. PAINT INSIDE SURFACE OF ENTIRE RING WITH GRAY PRIMER.

MATERIAL SPECIFICATION EUGENE WATER & ELECTRIC BOARD		
SIDEWALK INSET RINGS FOR CONCRETE LIDS	May 16, 2016	REV.
	ES5-2.2100	1
Page 4 of 9		

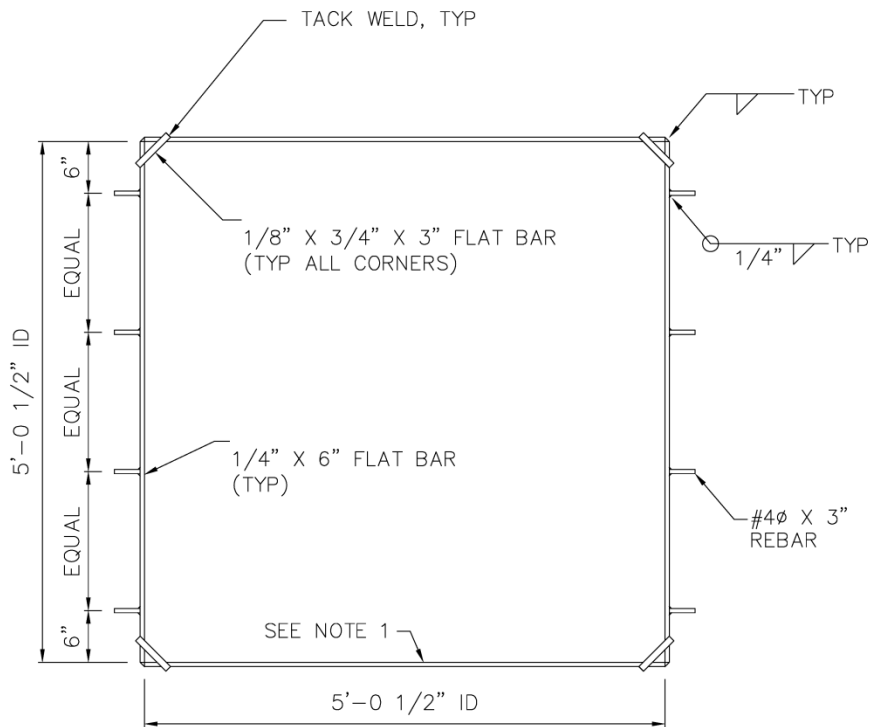


SIDEWALK INSET RING FOR 4'-8" X 4'-8" CONCRETE LID
EWEB STOCK CODE 348-0000546
STANDARD DETAIL ES5-2.2100.03

NOTE:

1. PAINT INSIDE SURFACE OF ENTIRE RING WITH GRAY PRIMER.

MATERIAL SPECIFICATION EUGENE WATER & ELECTRIC BOARD		
SIDEWALK INSET RINGS FOR CONCRETE LIDS	May 16, 2016	REV.
	ES5-2.2100	1
Page 5 of 9		



SIDEWALK INSET RING FOR 5'-0" X 5'-0" CONCRETE LID

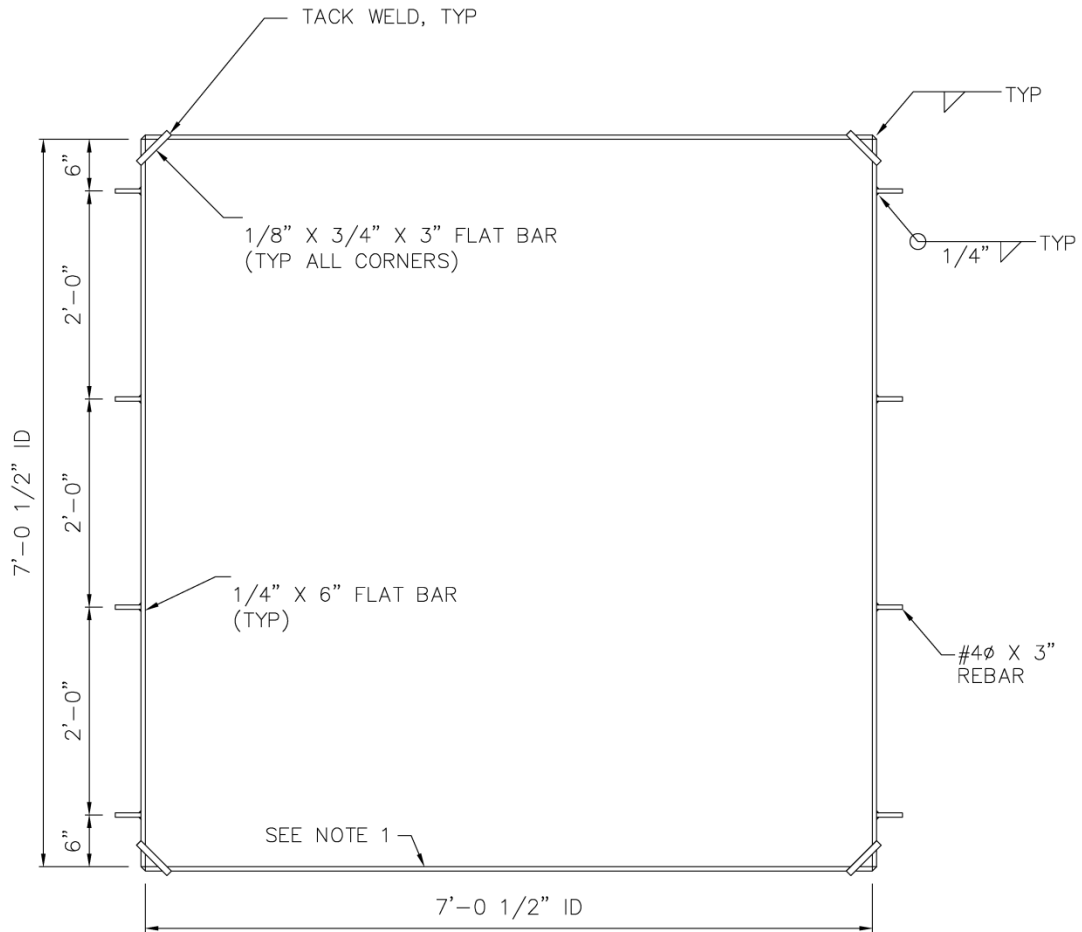
EWEB STOCK CODE 348-0000545

STANDARD DETAIL ES5-2.2100.04

NOTE:

1. PAINT INSIDE SURFACE OF ENTIRE RING WITH GRAY PRIMER.

MATERIAL SPECIFICATION EUGENE WATER & ELECTRIC BOARD		
SIDEWALK INSET RINGS FOR CONCRETE LIDS	May 16, 2016	REV.
	ES5-2.2100	1
Page 6 of 9		

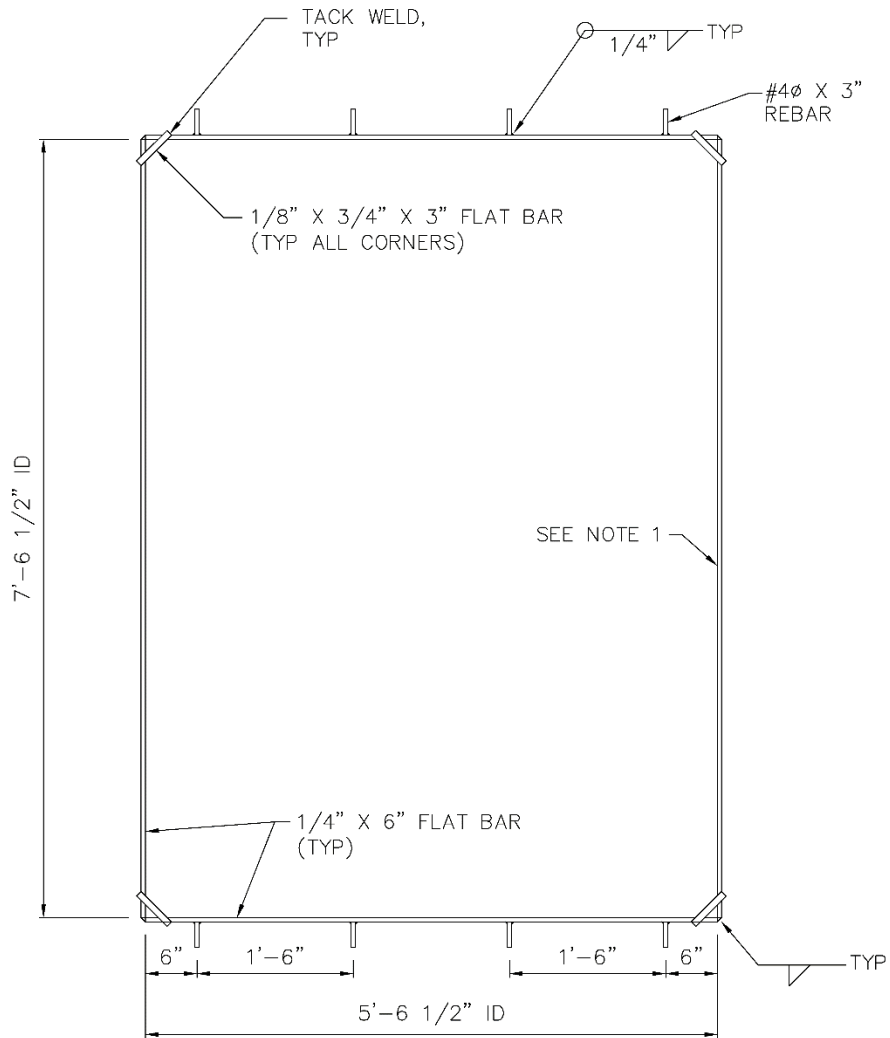


SIDEWALK INSET RING FOR 7'-0" X 7'-0" CONCRETE LIDS
STANDARD DETAIL ES5-2.2100.05

NOTE:

1. PAINT INSIDE SURFACE OF ENTIRE RING WITH GRAY PRIMER.

MATERIAL SPECIFICATION		
EUGENE WATER & ELECTRIC BOARD		
SIDEWALK INSET RINGS FOR CONCRETE LIDS	May 16, 2016	REV.
	ES5-2.2100	1
Page 7 of 9		



SIDEWALK INSET RING FOR 5'-6" X 7'-6" X 6" CONCRETE LID

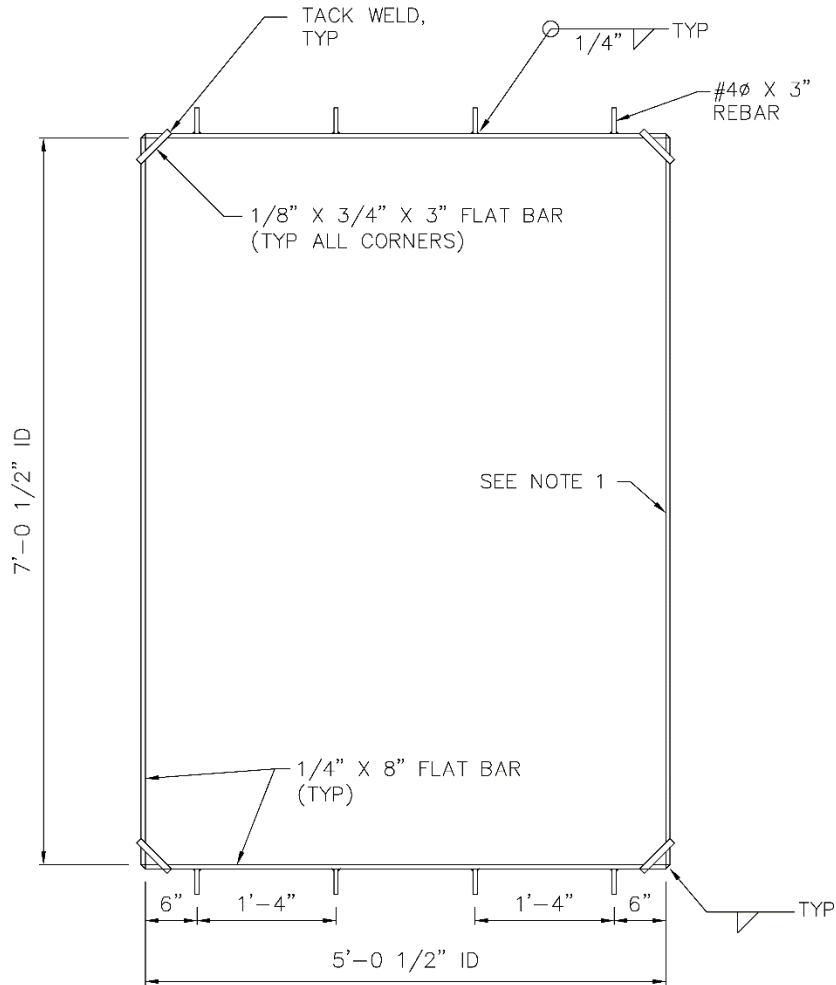
EWEB STOCK CODE 348-0005468

STANDARD DETAIL ES5-2.2100.06

NOTE:

1. PAINT INSIDE SURFACE OF ENTIRE RING WITH GRAY PRIMER.

MATERIAL SPECIFICATION EUGENE WATER & ELECTRIC BOARD		
SIDEWALK INSET RINGS FOR CONCRETE LIDS	May 16, 2016	REV.
	ES5-2.2100	1
Page 8 of 9		



SIDEWALK INSET RING FOR 5'-0" X 7'-0" X 8" CONCRETE LID
EWEB STOCK CODE 348-0005467
STANDARD DETAIL ES5-2.2100.07

NOTE:

1. PAINT INSIDE SURFACE OF ENTIRE RING WITH GRAY PRIMER.

MATERIAL SPECIFICATION EUGENE WATER & ELECTRIC BOARD		
SIDEWALK INSET RINGS FOR CONCRETE LIDS	May 16, 2016	REV.
	ES5-2.2100	1
Page 9 of 9		